



BY PRO-JECT AUDIO SYSTEMS

INSTRUCTIONS FOR USE Pro-Ject USB Box S

Dear music lover,

thank you for purchasing a PRO-JECT AUDIO USB Box.

In order to achieve maximum performance and reliability you should study these instructions for use carefully.

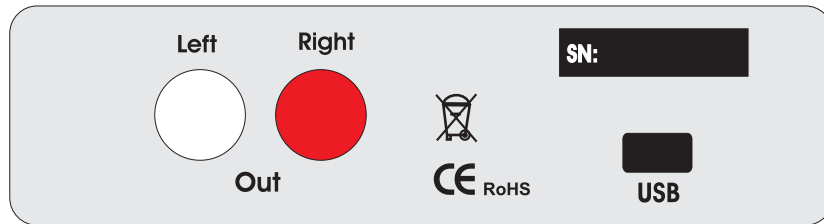


Warning of a hazard for the user, the unit or possible misuse.



Important notice.

Connectors



Make all connections whilst the USB Box is disconnected from the amplifier.

Take care to connect the left and right channels correctly. The right channel is usually marked red, the left channel black or white.

Connection to the amplifier

Connect the **Left/Right Out** socket to a line input (such as **AUX**) on your amplifier.

Connecting to a Computer

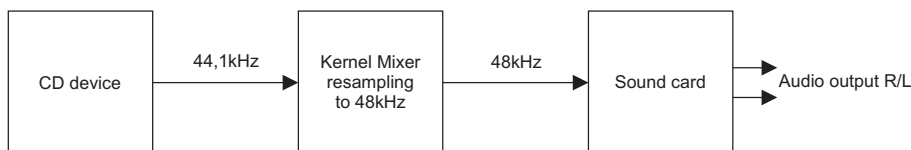
Connect the USB-input to a free USB-socket on your computer and turn it on/make sure it is powered on. The DAC will be automatically recognised by the computer. There is no need to install a driver manually.



Please note: Connection should be made to an USB-socket of your computer directly. Connecting to USB-hubs or switches can cause problems.

Pro-Ject Direct Streaming - Kernel Streaming (Windows XP® operating system only)

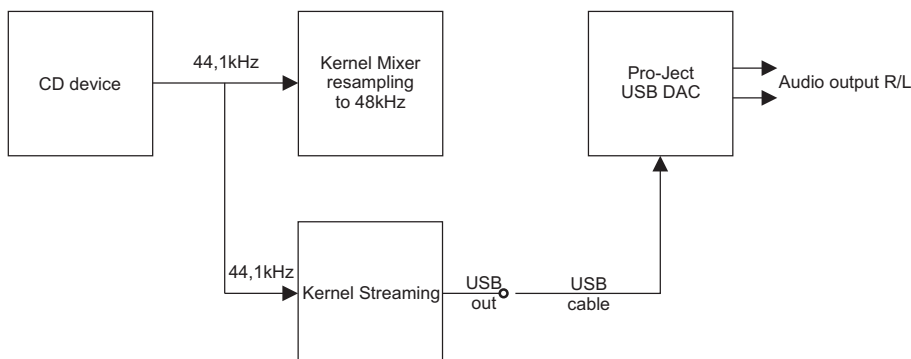
Normally the audio data that comes from CD drive of the computer gets resampled by the Windows® Kernel Mixer. This conversion process deteriorates the audio performance.



Pro-Ject Direct Streaming allows bit-by-bit processing. This avoids unwanted signal alteration of the original signal through by-passing the Windows® Kernel Mixer of your PC.

For replay a suitable software player, like for instance foobar2000, will be needed.

If Pro-Ject Direct Streaming will not be used, any software player will be suitable.



Pro-Ject Direct Streaming and foobar2000 software

Download the software (<http://box-designs.com/main.php?prod=usbbox&cat=digital&lang=en>) and install it. To do so, double-click **install.bat** and follow the instructions.

Complete the installation by restarting the computer.



Please be aware that downloads from the Internet are made entirely at your own risk. Under no circumstances can we carry responsibility or provide support for software products sourced from the internet or for any damage or problems arising from the use thereof. All downloads should be checked with an up-to-date anti-virus programme. License fees may be applicable.

Technical specifications Pro-Ject USB Box S

Line-level output:	1 pair RCA/phono sockets
Output voltage:	0,775Vrms
A/D converter:	Burr Brown PCM2702E. 16-Bit Delta Sigma, 8-times oversampling
Supported audio format:	PCM (LPCM). No support for formats like Dolby® Digital or DTS™
Sampling rate:	44,1kHz
USB input:	5 pin mini b connector (USB cable supplied)
USB signal:	digital serial data protocol USB 1.1
Operating systems:	Windows XP®, Windows VISTA®, Windows 7® and Mac OS®
Dimensions W x H x D (D with sockets):	103 x 36 x 104 (109)mm
Weight:	540g

Service

Should you encounter a problem which you are not able to alleviate or identify despite the above information, please contact your dealer for further advice. Only when the problem cannot be resolved there should the unit be sent to the responsible distributor in your country.

Warranty



The manufacturer accepts no responsibility for damage caused by not adhering to these instructions for use. Modification or change to any part of the product by unauthorized persons release the manufacturer from any liability over and above the lawful rights of the customer.

Safety instructions



AC outlet voltages vary from country to country. Before connecting to the mains, make sure that the voltage in your area meets the voltage requirements printed on the power supply.

The power supply is used to disconnect the unit from the mains. Make sure that the power supply is easily accessible at all times. Never handle the device, the power supply while your hands are wet or damp.

Avoid letting liquids enter the device or the power supply. Never place any item containing liquid, such as a flower vase on or near the device. Never spill any liquid on the device or the power supply.

Never place any naked flame sources, such as lighted candles on or near the device. The product shall not be used in damp or wet locations, next to a bathtub, sink, swimming pool or any other similar conditions.

Copyright, trademarks

PRO-JECT is a Registered Trademark of H. Lichtenegger.

This guide was produced by: Audio Trade GmbH

Copyright © 2012. All rights reserved.

The information was correct at the time of going to press. The manufacturer reserves the right to make changes to the technical specification without prior notice as deemed necessary to uphold the ongoing process of technical development.

Windows XP®, Windows Vista® and Windows 7® are trademarks of the Microsoft group of companies. Mac® and Mac OS® are trademarks of Apple Inc., registered in the U.S. and other countries. Dolby® is a registered trademarks of Dolby Laboratories. DTS™ is a registered trademark of DTS, Inc..